

# Liger Report - 9 Jun 2022

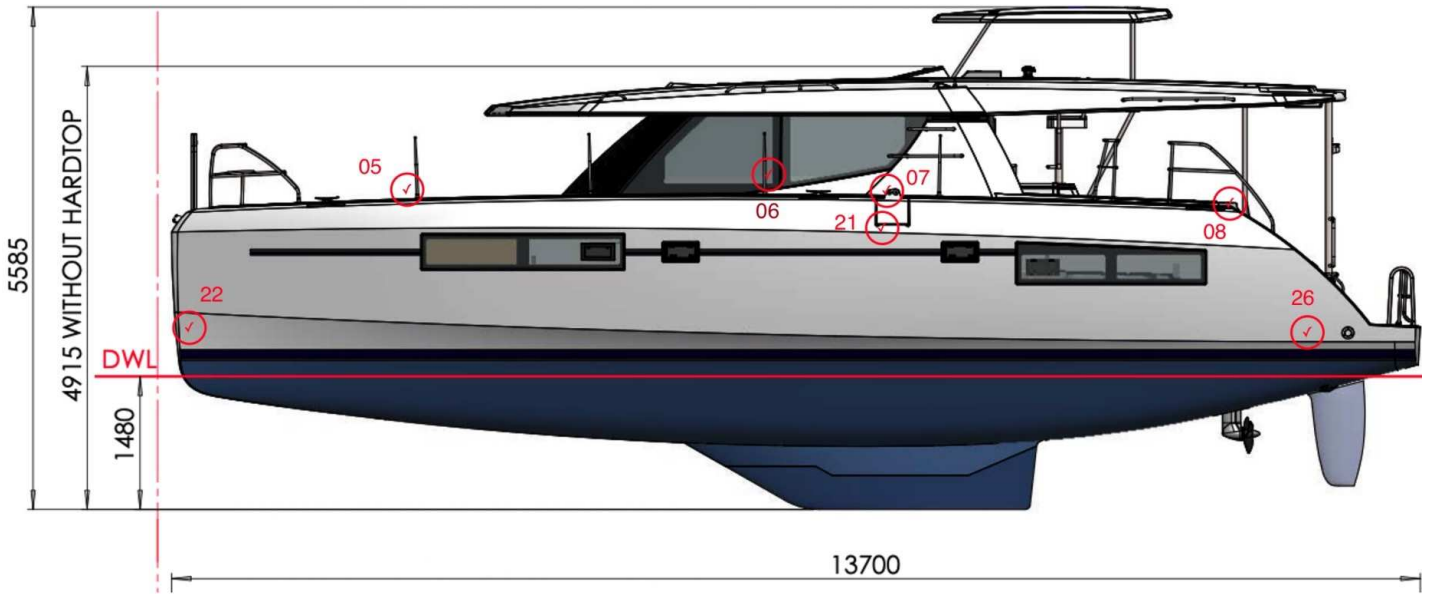
Prepared by [REDACTED]

9 Jun 2022

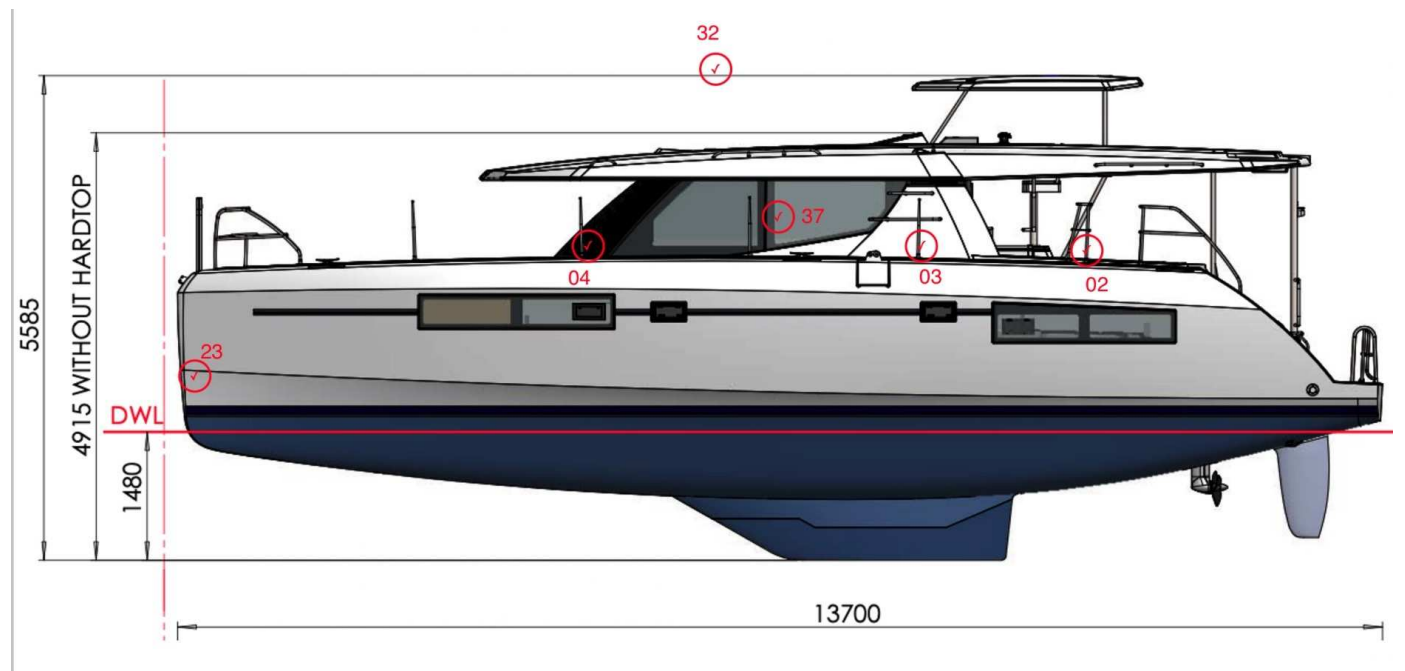
## Description

55 tas ksin this report.

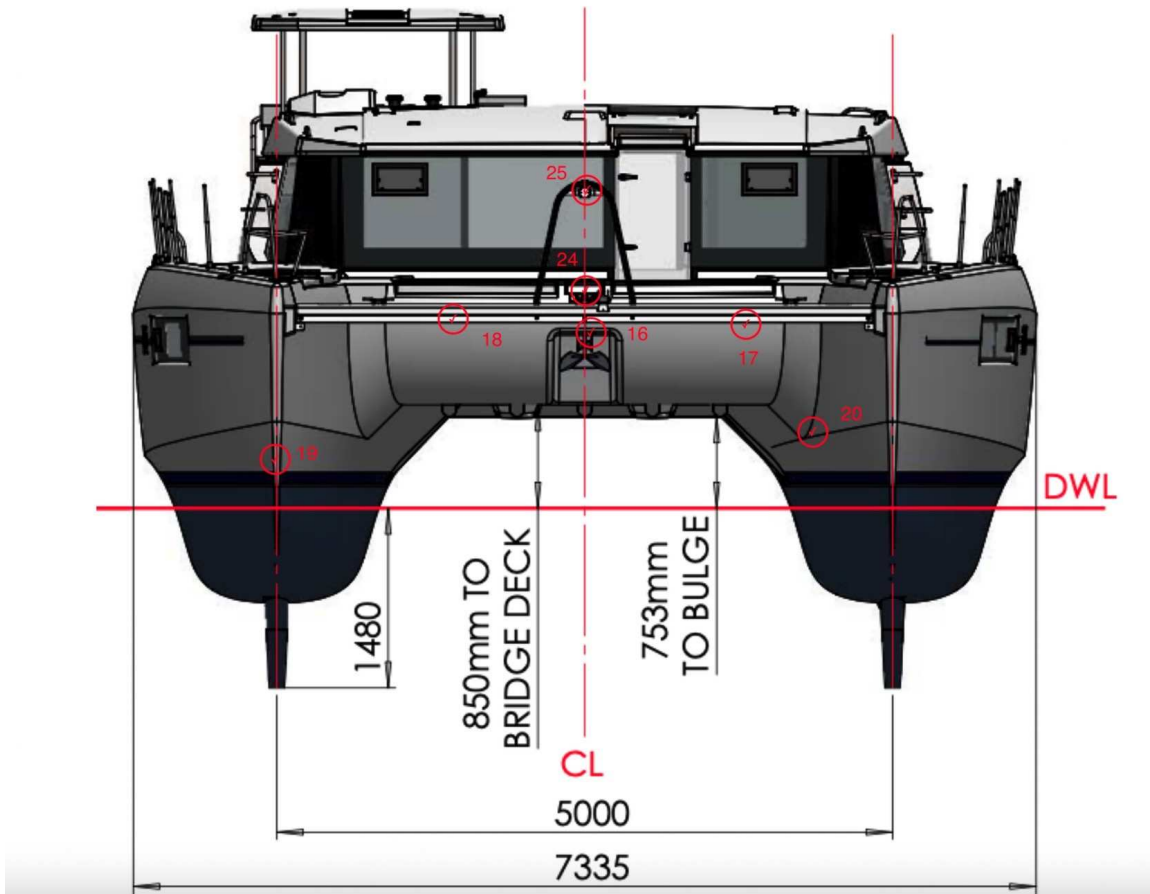
### Hull Starboard side



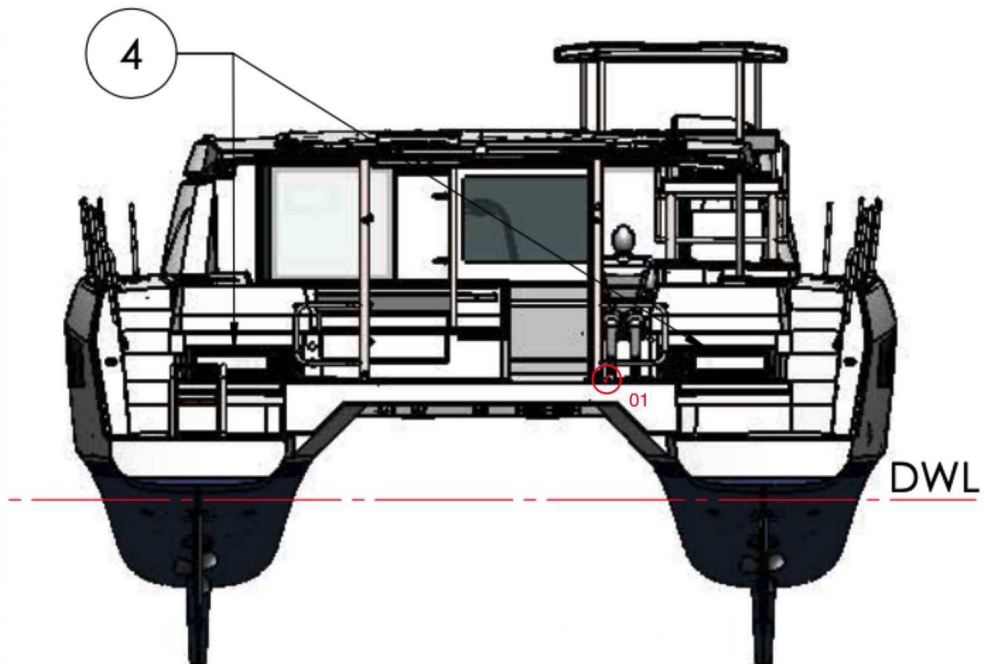
### Hull Port Side



Hull Bow

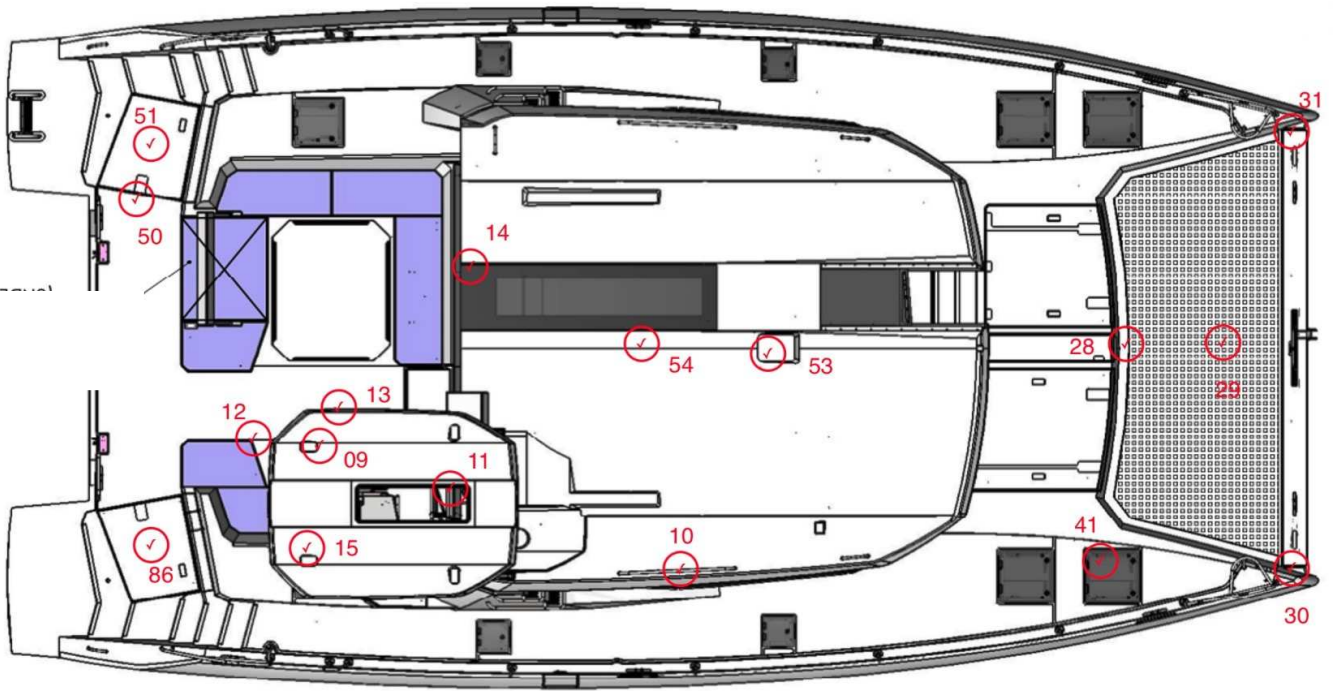


Hull Aft

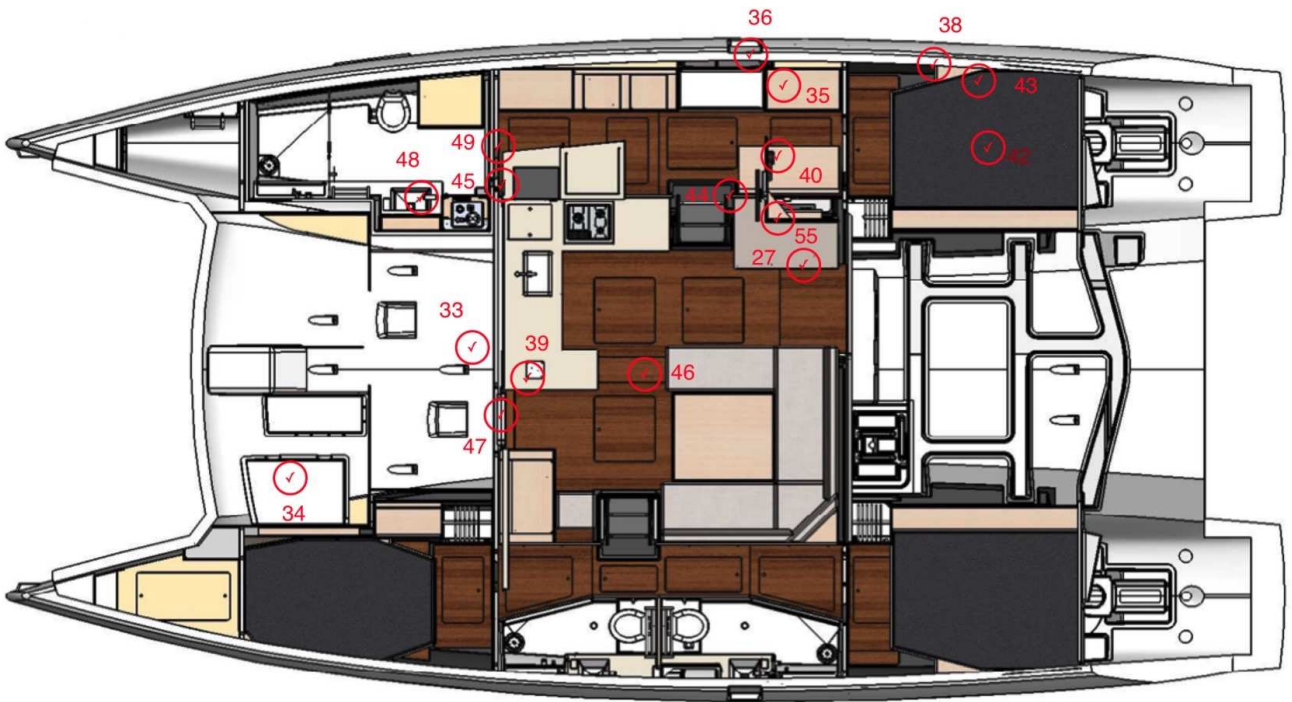


AFT VIEW

Deck



Interior



#01 Inspection date 09.06.2022

**Status**  
Open

**Start date**  
9 Jun 2022

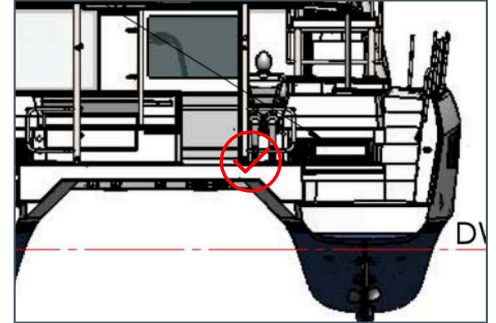
**Sheet**  
Hull Aft

**Location**  
Hull Aft

**Created**  
9 Jun 2022 17:12  
[REDACTED]@icloud.com

**List**  
QA/QC

**Root cause**  
Quality >  
Manufacturer defect



**Description**

The Stainless Steel used on board has been noted with evident oxidation caused by poor material and poor sealing around bases

**Photos**



IMG\_0038

[REDACTED]  
9 Jun 2022 12:16



## #02 Inspection date 09.06.2022

**Status**

Open

**Start date**

9 Jun 2022

**Sheet**

Hull Port Side

**Location**

Deck Ps

**Created**

9 Jun 2022 17:18

██████████@icloud.com

**List**

QA/QC

**Root cause**

Quality >

Manufacturer defect



**Description**

The Stainless Steel used on board has been noted with evident oxidation caused by poor material and poor sealing around bases

**Photos**



IMG\_0040

9 Jun 2022 12:17

#03 Inspection date 09.06.2022

**Status**  
Open

**Start date**  
9 Jun 2022

**Sheet**  
Hull Port Side

**Location**  
Deck Ps

**Created**  
9 Jun 2022 17:19  
[REDACTED]@icloud.com

**List**  
QA/QC

**Root cause**  
Quality >  
Manufacturer defect

**Description**

The Stainless Steel used on board has been noted with evident oxidation caused by poor material



#04 Inspection date 09.06.2022

**Status**  
Open

**Start date**  
9 Jun 2022

**Sheet**  
Hull Port Side

**Location**  
Deck Ps

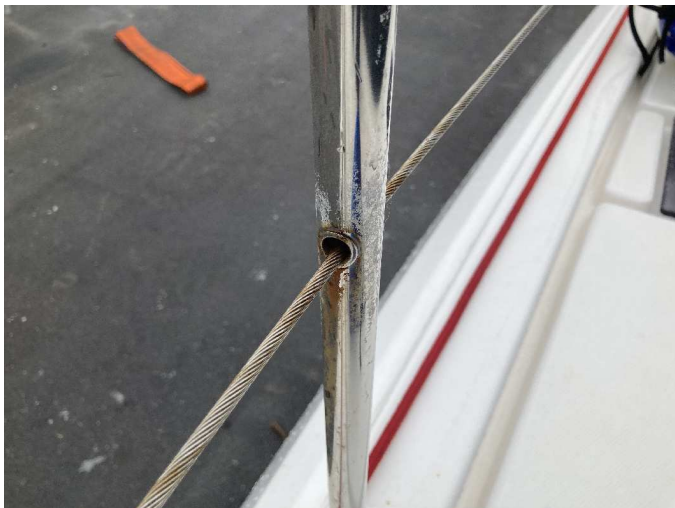
**Created**  
9 Jun 2022 17:20  
[REDACTED]@icloud.com

**List**  
QA/QC

**Root cause**  
Quality >  
Manufacturer defect

**Description**

The Stainless Steel used on board has been noted with evident oxidation caused by poor material



## #05 Inspection date 09.06.2022

**Status**  
Open

**Start date**  
9 Jun 2022

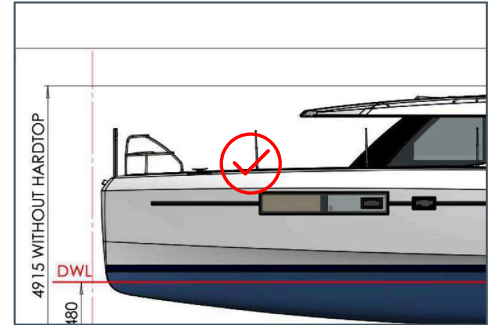
**Sheet**  
Hull Starboard side

**Location**  
Deck Starboard side

**Created**  
9 Jun 2022 17:21  
[REDACTED]@icloud.com

**List**  
QA/QC

**Root cause**  
Quality >  
Manufacturer defect



### Description

The Stainless Steel used on board has been noted with evident oxidation caused by poor material and poor sealing around bases

### Photos



IMG\_0048

9 Jun 2022 12:17



IMG\_0049

9 Jun 2022 12:17



#06 Inspection date 09.06.2022

**Status**  
Open

**Start date**  
9 Jun 2022

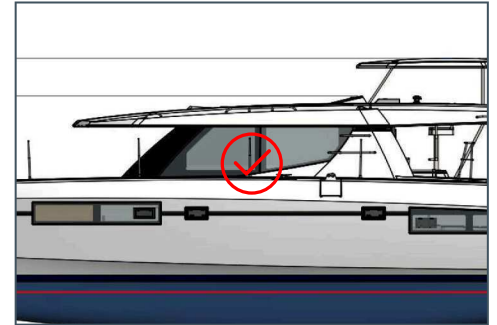
**Sheet**  
Hull Starboard side

**Location**  
Deck Starboard side

**Created**  
9 Jun 2022 17:27  
[REDACTED]@icloud.com

**List**  
QA/QC

**Root cause**  
Quality >  
Inadequate training



**Description**

The Stainless Steel used on board has been noted with evident oxidation caused by poor material and poor sealing around bases

**Photos**



IMG\_0052

[REDACTED]  
9 Jun 2022 12:18



IMG\_0053

[REDACTED]  
9 Jun 2022 12:18

## #07 Inspection date 09.06.2022

**Status**  
Open

**Start date**  
9 Jun 2022

**Sheet**  
Hull Starboard side

**Location**  
Deck Starboard side

**Created**  
9 Jun 2022 17:28  
[REDACTED]@icloud.com

**List**  
QA/QC

**Root cause**  
Quality >  
Manufacturer defect

### Description

The Stainless Steel used on board has been noted with evident oxidation caused by poor material and poor sealing around bases



### Photos



IMG\_0054

[REDACTED]  
9 Jun 2022 12:18

## #08 Inspection date 09.06.2022

**Status**

Open

**Start date**

9 Jun 2022

**Sheet**

Hull Starboard side

**Location**

Deck Starboard side

**Created**

9 Jun 2022 17:30

██████████@icloud.com

**List**

QA/QC

**Root cause**

Quality > Manufacturer defect



**Description**

The Stainless Steel used on board has been noted with evident oxidation caused by poor material and poor sealing around bases. The port rear cleat is loose and is a safety issue. It actually moves when tied off.

**Photos**



IMG\_0056

9 Jun 2022 12:18

## #09 Inspection date 09.06.2022

**Status**

Open

**Start date**

9 Jun 2022

**Sheet**

Deck Plan

**Location**

Deck House

**Created**

9 Jun 2022 17:32

██████████@icloud.com

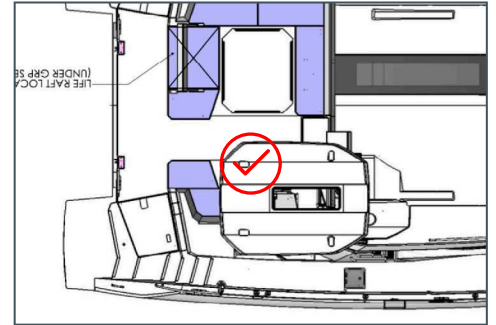
**List**

QA/QC

**Root cause**

Quality >

Manufacturer defect



**Description**

The Stainless Steel used on board has been noted with evident oxidation caused by poor material and poor sealing around bases

**Photos**



IMG\_0058

9 Jun 2022 12:18



## #10 Inspection date 09.06.2022

**Status**

Open

**Start date**

9 Jun 2022

**Sheet**

Deck Plan

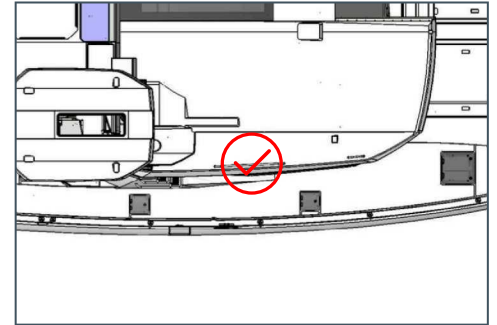
**Location**

Deck House

**Created**

9 Jun 2022 17:34

██████████@icloud.com



**List**

QA/QC

**Root cause**

Quality >

Manufacturer defect

**Description**

The Stainless Steel used on board has been noted with evident oxidation caused by poor material and poor sealing around bases

**Photos**



IMG\_0060

9 Jun 2022 12:19



IMG\_0061

9 Jun 2022 12:19

#11 Inspection date 09.06.2022

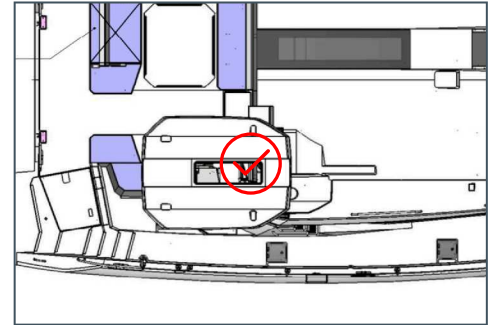
**Status**  
Open

**Start date**  
9 Jun 2022

**Sheet**  
Deck Plan

**Location**  
Helm station

**Created**  
9 Jun 2022 17:35  
[REDACTED]@icloud.com



**List**  
QA/QC

**Root cause**  
Quality >  
Manufacturer defect

**Description**  
The gelcoat reveals several superficial defects on the surfaces

**Photos**



IMG\_0062

[REDACTED]  
9 Jun 2022 12:27



IMG\_0063

[REDACTED]  
9 Jun 2022 12:27

## #12 Inspection date 09.06.2022

**Status**

Open

**Start date**

9 Jun 2022

**Sheet**

Deck Plan

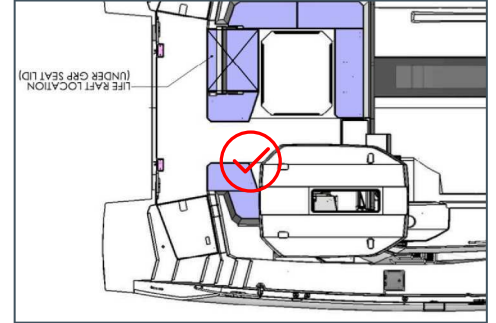
**Location**

Cockpit

**Created**

9 Jun 2022 17:39

██████████@icloud.com



**List**

QA/QC

**Root cause**

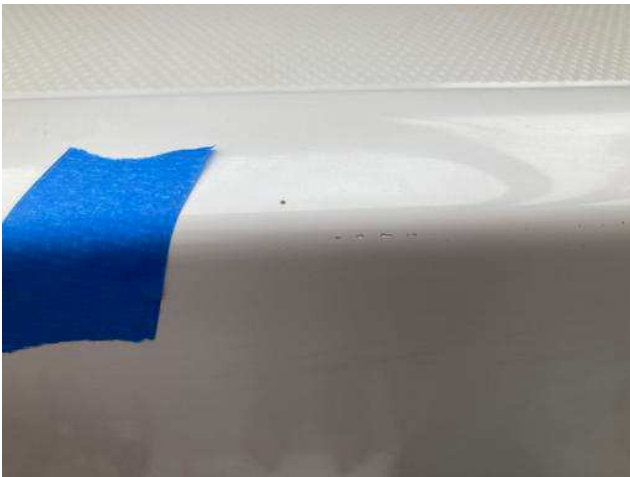
Quality >

Manufacturer defect

**Description**

The gelcoat reveals several superficial defects (holes ) on the surfaces

**Photos**



IMG\_0065

██████████

9 Jun 2022 12:27

## #13 Inspection date 09.06.2022

### Status

Open

### Start date

9 Jun 2022

### Sheet

Deck Plan

### Location

Helm station

### Created

9 Jun 2022 17:40

██████████@icloud.com

### List

QA/QC

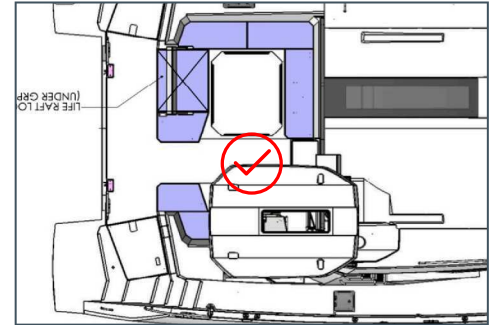
### Root cause

Quality >

Manufacturer defect

### Description

The gelcoat reveals several superficial defects ( low thickness in the corner ) on the surfaces



### Photos



IMG\_0066

9 Jun 2022 12:27



#14 Inspection date 09.06.2022

Status  
Open

Start date  
9 Jun 2022

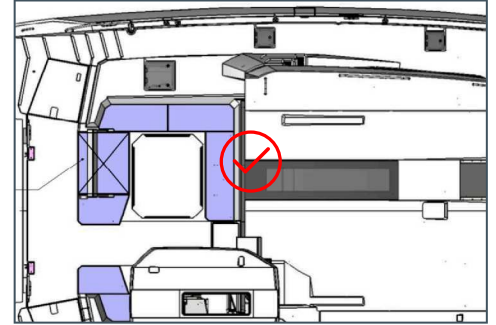
Sheet  
Deck Plan

Location  
Deck House

Created  
9 Jun 2022 17:44  
[redacted]@icloud.com

List  
QA/QC

Root cause  
Quality >  
Manufacturer defect



Description

The gelcoat reveals several superficial defects (scratches) on the surfaces around the glasses

Photos



IMG\_0067

IMG\_0068

9 Jun 2022 12:28

9 Jun 2022 12:28

#15 Inspection date 09.06.2022

**Status**

Open

**Start date**

9 Jun 2022

**Sheet**

Deck Plan

**Location**

Deck House

**Created**

9 Jun 2022 17:46

██████████@icloud.com

**List**

QA/QC

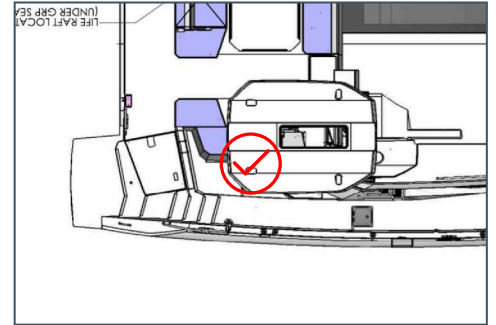
**Root cause**

Quality >

Manufacturer defect

**Description**

The seal around the  
Stainless Steel plates is  
detached



**Photos**



IMG\_0070

9 Jun 2022 12:28

## #16 Inspection date 09.06.2022

**Status**

Open

**Start date**

9 Jun 2022

**Sheet**

Hull Bow

**Location**

Deck Bow

**Created**

9 Jun 2022 17:48

██████████@icloud.com

**List**

QA/QC

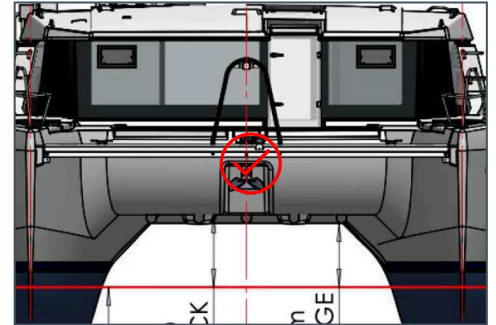
**Root cause**

Quality >

Manufacturer defect

**Description**

Gelcoat defects around  
the Stainless Steel anchor  
exit



**Photos**



IMG\_0072

9 Jun 2022 12:30

#17 Inspection date 09.06.2022

Status  
Open

Start date  
9 Jun 2022

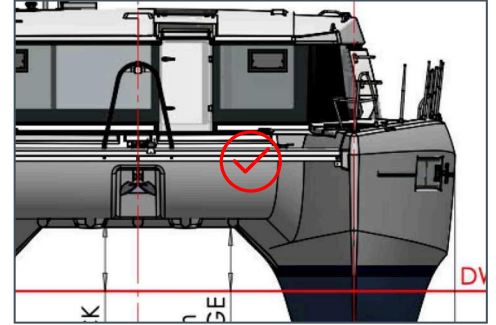
Sheet  
Hull Bow

Location  
Deck Bow

Created  
9 Jun 2022 17:51  
[redacted]@icloud.com

List  
QA/QC

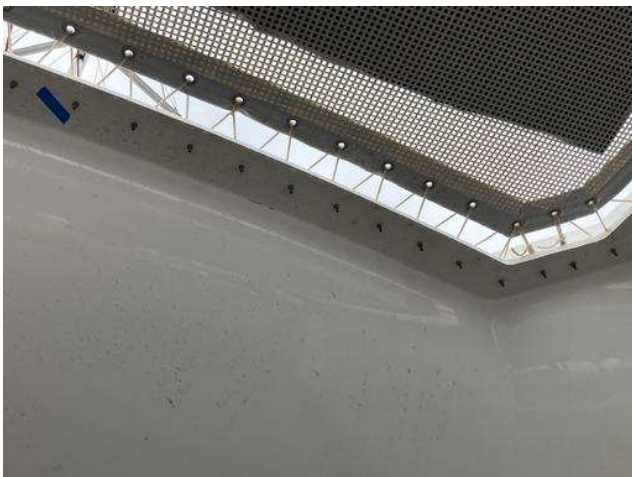
Root cause  
Quality >  
Manufacturer defect



Description

The gelcoat reveals some superficial defects on the surfaces in contact with metal transverse

Photos



IMG\_0073  
[redacted]  
9 Jun 2022 12:30

IMG\_0074  
[redacted]  
9 Jun 2022 12:31



## #18 Inspection date 09.06.2022

**Status**

Open

**Start date**

9 Jun 2022

**Sheet**

Hull Bow

**Location**

Deck Bow

**Created**

9 Jun 2022 17:53

██████████@icloud.com

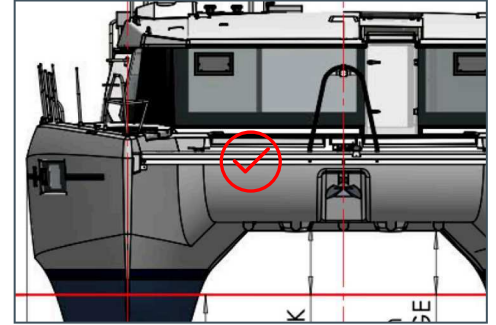
**List**

QA/QC

**Root cause**

Quality >

Manufacturer defect



**Description**

The gelcoat reveals some superficial defects on the surfaces in contact with metal transverse

**Photos**



IMG\_0076

9 Jun 2022 12:31

## #19 Inspection date 09.06.2022

**Status**

Open

**Start date**

9 Jun 2022

**Sheet**

Hull Bow

**Location**

Hull Stb Bow

**Created**

9 Jun 2022 17:55

██████████@icloud.com

**List**

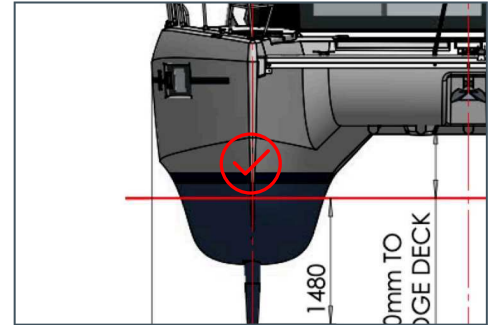
QA/QC

**Root cause**

Quality >  
Incomplete work

**Description**

The gelcoat reveals some superficial defects on the surfaces close to the antifouling



**Photos**



IMG\_0077

9 Jun 2022 12:31

#20 Inspection date 09.06.2022

Status  
Open

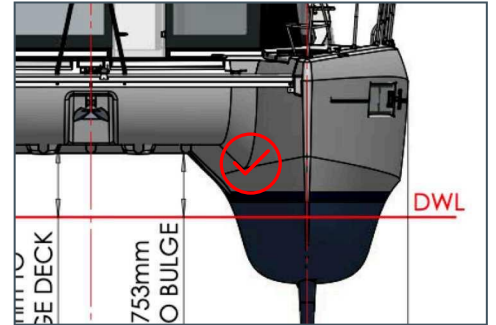
Created  
9 Jun 2022 17:57  
[REDACTED]@icloud.com

Sheet  
Hull Bow

Location  
Hull Ps Internal

List  
QA/QC

Root cause  
Quality >  
Manufacturer defect



Description

Localised blister appear on gelcoat surface - It has be opened to check the the cause and be repaired

Photos



IMG\_0079  
[REDACTED]  
9 Jun 2022 12:33

IMG\_0080  
[REDACTED]  
9 Jun 2022 12:34

## #21 Inspection date 09.06.2022

### Status

Open

### Start date

9 Jun 2022

### Sheet

Hull Starboard side

### Location

Hull Stb

### Created

9 Jun 2022 17:59  
supernavisrl@icloud.com

### List

QA/QC

### Root cause

Quality >  
Manufacturer defect



### Description

In this area the gelcoat appears flawed -It releases white color when the fender is rubbing

### Photos



IMG\_0082

9 Jun 2022 12:35

## #22 Inspection date 09.06.2022

**Status**

Open

**Start date**

9 Jun 2022

**Sheet**

Hull Starboard side

**Location**

Hull Stb Bow

**Created**

9 Jun 2022 18:01

██████████@icloud.com

**List**

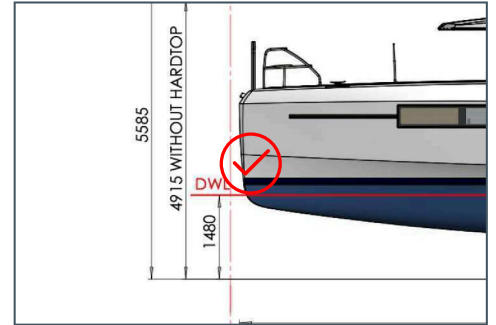
QA/QC

**Root cause**

Quality >  
Manufacturer  
defect

**Description**

Different waterline  
colors near the bow area



**Photos**



IMG\_0085

9 Jun 2022 12:39

#23 Inspection date 09.06.2022

**Status**

Open

**Start date**

9 Jun 2022

**Sheet**

Hull Port Side

**Location**

Hull Ps Bow

**Created**

9 Jun 2022 18:03

██████████@icloud.com

**List**

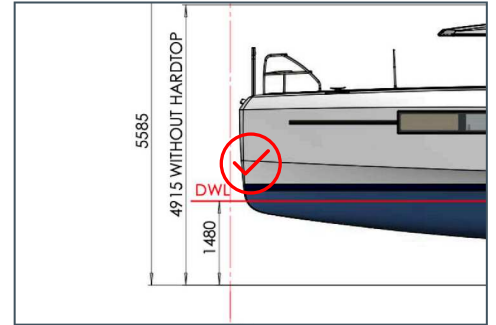
QA/QC

**Root cause**

Quality >  
Manufacturer  
defect

**Description**

Waterline with  
different colors on  
bow area



**Photos**



IMG\_0084

9 Jun 2022 12:39



#24 Inspection date 09.06.2022

**Status**  
Open

**Start date**  
9 Jun 2022

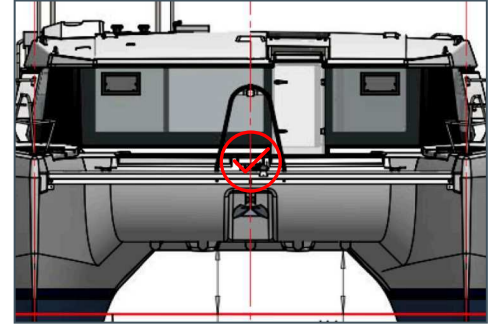
**Sheet**  
Hull Bow

**Location**  
Deck Bow

**Created**  
9 Jun 2022 18:05  
[REDACTED]@icloud.com

**List**  
QA/QC

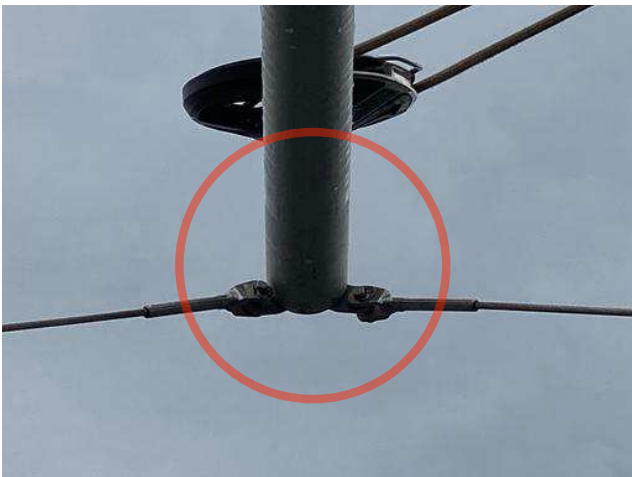
**Root cause**  
Quality >  
Installation



**Description**

The boom seems to be bent or not properly installed in the centre line - it needs to be dismantled and checked

**Photos**



IMG\_0087  
[REDACTED]  
9 Jun 2022 12:41

IMG\_0088  
[REDACTED]  
9 Jun 2022 12:41

#25 Inspection date 09.06.2022

**Status**

Open

**Start date**

9 Jun 2022

**Sheet**

Hull Bow

**Location**

Deck Bow

**Created**

9 Jun 2022 18:07

██████████@icloud.com

**List**

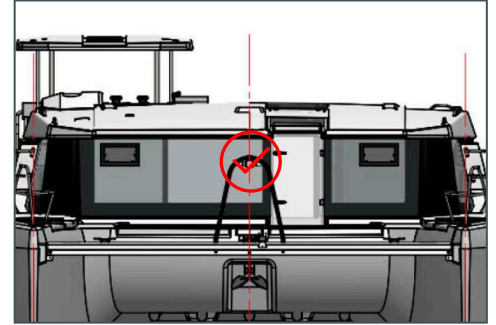
QA/QC

**Root cause**

Quality >  
Installation

**Description**

The bow roller part has to be checked, it seems bent - needs to be dismantled and checked



**Photos**



IMG\_0089

9 Jun 2022 12:41

#26 Inspection date 09.06.2022

**Status**  
Open

**Start date**  
9 Jun 2022

**Sheet**  
Hull Starboard side

**Location**  
Hull Ps

**Created**  
9 Jun 2022 18:09  
[REDACTED]@icloud.com

**List**  
QA/QC

**Root cause**  
Quality >  
Manufacturer defect



**Description**

The Stainless Steel used on board has an evident oxidation caused by poor material and poor sealing around bases

**Photos**



IMG\_0090

[REDACTED]  
9 Jun 2022 12:42

#27 Inspection date 09.06.2022

**Status**  
Open

**Start date**  
9 Jun 2022

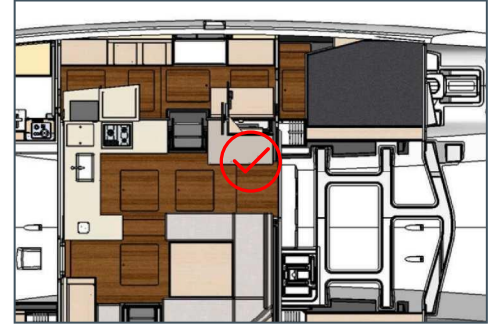
**Sheet**  
Interior

**Location**  
Salon

**Created**  
9 Jun 2022 18:10  
[REDACTED]@icloud.com

**List**  
QA/QC

**Root cause**  
Quality >  
Installation



**Description**

The fridge VITRIFRIGO located in the Stb salon does not close well. During navigation the drawer moves

**Photos**



IMG\_0092  
[REDACTED]  
9 Jun 2022 12:45

IMG\_0093  
[REDACTED]  
9 Jun 2022 12:45

#28 Inspection date 09.06.2022

**Status**

Open

**Start date**

9 Jun 2022

**Sheet**

Deck Plan

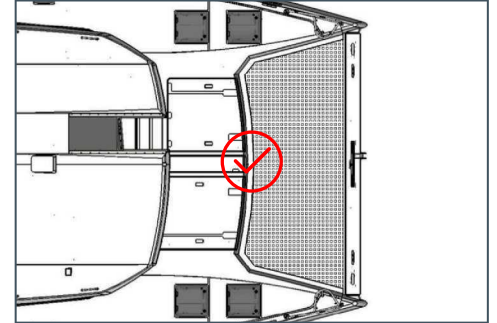
**Location**

Deck Bow

**Created**

9 Jun 2022 18:13

██████████@icloud.com



**List**

QA/QC

**Root cause**

Quality >

Manufacturer defect

**Description**

Cracks in code zero cross beam support welds . Will need to be removed and replaced for safety reasons

**Photos**



IMG\_0095

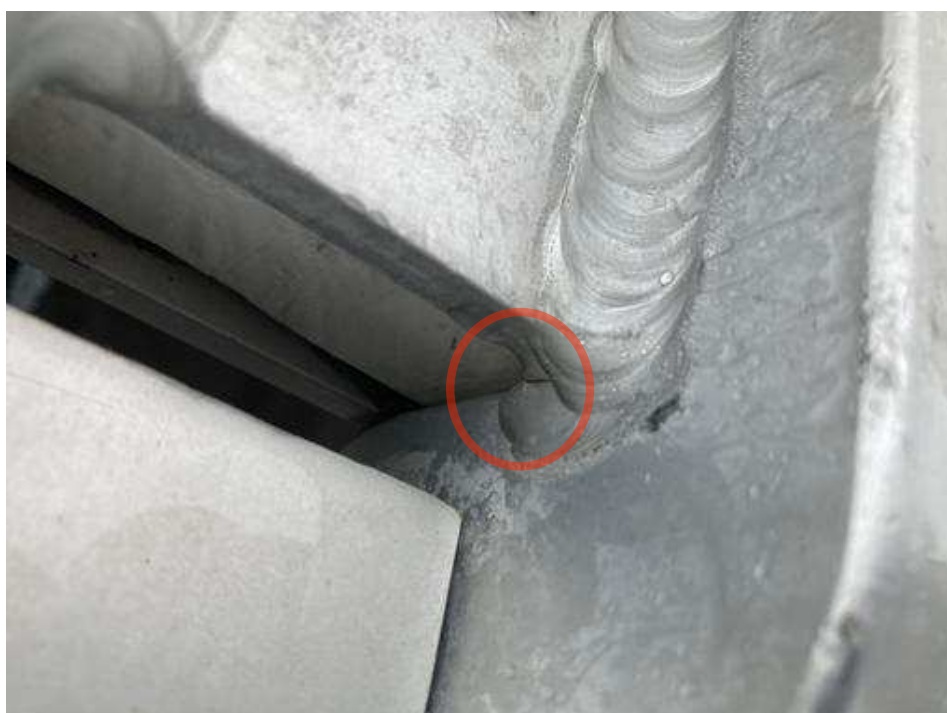
██████████  
9 Jun 2022 12:47





IMG\_0096

9 Jun 2022 12:47



IMG\_0097

9 Jun 2022 12:47



#29 Inspection date 09.06.2022

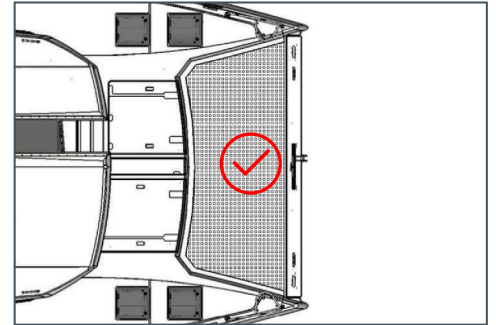
**Status**  
Open

**Start date**  
9 Jun 2022

**Sheet**  
Deck Plan

**Location**  
Deck Bow

**Created**  
9 Jun 2022 18:16  
[REDACTED]@icloud.com



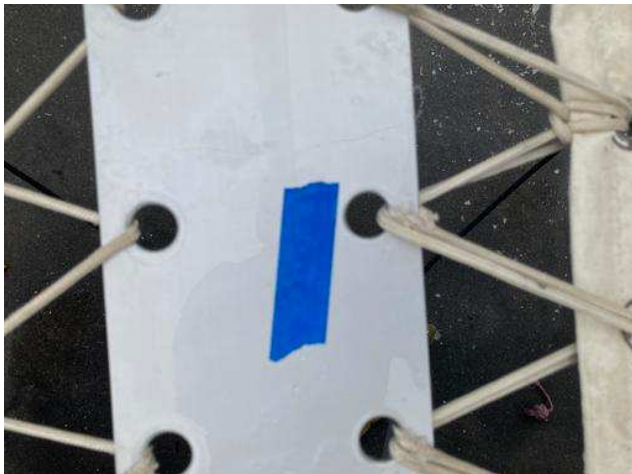
**List**  
QA/QC

**Root cause**  
Quality >  
Manufacturer defect

**Description**

Not all the holes in the beam are properly finished and the webbing gets cut quickly. It needs to be replaced and the holes appropriately smoothed

**Photos**



IMG\_0098  
[REDACTED]  
9 Jun 2022 12:48



IMG\_0099  
[REDACTED]  
9 Jun 2022 12:48

### #30 Inspection date 09.06.2022

**Status**

Open

**Start date**

9 Jun 2022

**Sheet**

Deck Plan

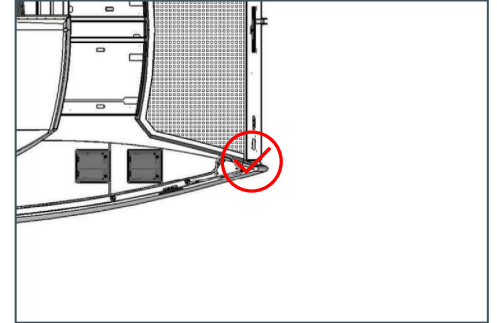
**Location**

Deck Bow Stb

**Created**

9 Jun 2022 18:19

██████████@icloud.com



**List**

QA/QC

**Root cause**

Coordination >  
Constructibility

**Description**

Vertical cracks on both sides of the transverse beam support, these have already been repaired once and the cause of their reappearance must be investigated. It could be an extensive repair work with the need to review the lamination plan of these areas and bolts leaking on starboard side

**Photos**



IMG\_0100

9 Jun 2022 12:50

Prepared by ██████████



IMG\_0101

9 Jun 2022 12:50



IMG\_0104 2

9 Jun 2022 12:51

#31 Inspection date 09.06.2022

**Status**

Open

**Start date**

9 Jun 2022

**Sheet**

Deck Plan

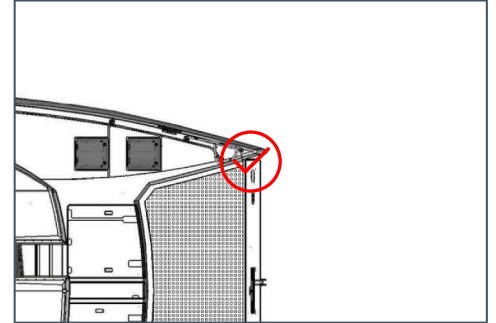
**Location**

Deck Bow Ps

**Created**

9 Jun 2022 18:23

██████████@icloud.com



**List**

QA/QC

**Root cause**

Coordination >  
Constructibility

**Description**

Vertical cracks on both sides of the transverse beam support, these have already been repaired once and require investigation about why they have reappeared. It could be an extensive repair work with the need to review the lamination plan of these areas

**Photos**



### #32 Inspection date 09.06.2022

**Status**  
Open

**Start date**  
9 Jun 2022

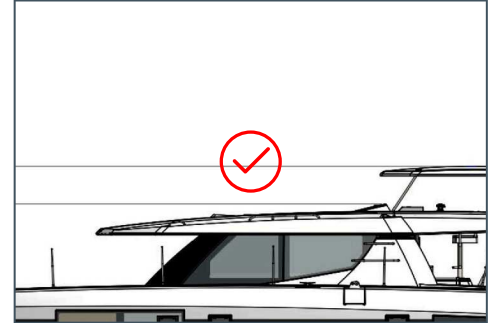
**Sheet**  
Hull Port Side

**Location**  
Mast

**Created**  
9 Jun 2022 18:25  
[redacted]@icloud.com

**List**  
QA/QC

**Root cause**  
Quality >  
Installation



### Description

The deck light it is bent

### Photos



IMG\_0105

[redacted]  
9 Jun 2022 12:59



IMG\_0106

[redacted]  
9 Jun 2022 12:59



#33 Inspection date 09.06.2022

**Status**  
Open

**Start date**  
9 Jun 2022

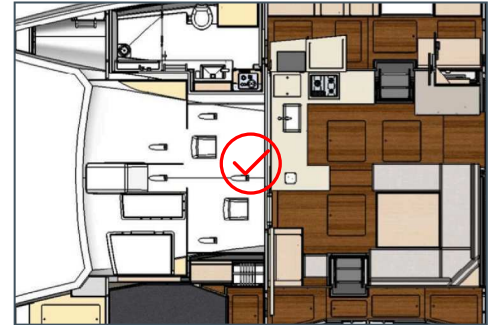
**Sheet**  
Interior

**Location**  
Deck Bow

**Created**  
9 Jun 2022 18:28  
[REDACTED]@icloud.com

**List**  
QA/QC

**Root cause**  
Quality >  
Manufacturer defect



**Description**

Hinge system of the technical locker is broken - Gelcoat around the hinge is broken - a review of the lamination structure is needed

**Photos**



IMG\_0108  
[REDACTED]  
9 Jun 2022 13:00



IMG\_0109  
[REDACTED]  
9 Jun 2022 13:00



#34 Inspection date 09.06.2022

**Status**  
Open

**Start date**  
9 Jun 2022

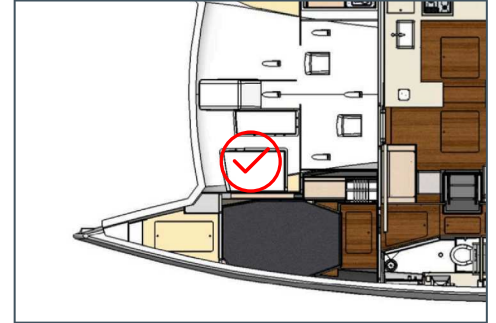
**Sheet**  
Interior

**Location**  
Deck Bow

**Created**  
9 Jun 2022 18:30  
[REDACTED]@icloud.com

**List**  
QA/QC

**Root cause**  
Coordination >  
Constructibility



**Description**

The GRP base (Generator position) is detached from the hull - New lamination is required in order to maintain the future Gen weight and loads

**Photos**



IMG\_0111

9 Jun 2022 13:02



IMG\_0113

9 Jun 2022 13:02

#35 Inspection date 09.06.2022

**Status**  
Open

**Start date**  
9 Jun 2022

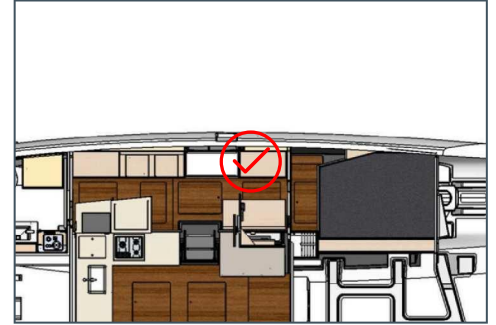
**Sheet**  
Interior

**Location**  
Interior Stb side

**Created**  
9 Jun 2022 18:33  
[REDACTED]@icloud.com

**List**  
QA/QC

**Root cause**  
Quality >  
Installation



**Description**

The hatch of the deckhouse on the starboard side shows water leakage, the inadequacy of these aspects affects the integrity of the hull and therefore the safety of the vessel ISO 11812

**Photos**



IMG\_0115  
[REDACTED]  
9 Jun 2022 13:04

IMG\_0116  
[REDACTED]  
9 Jun 2022 13:04

#36 Inspection date 09.06.2022

**Status**  
Open

**Start date**  
9 Jun 2022

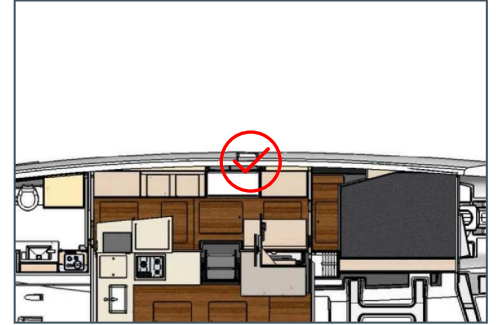
**Sheet**  
Interior

**Location**  
Hull Stb

**Created**  
9 Jun 2022 18:35  
[REDACTED]@icloud.com

**List**  
QA/QC

**Root cause**  
Quality >  
Installation



**Description**

The portholes on the starboard side show water infiltration during navigation ; inadequacy of these aspects affects the integrity of the hull and therefore the safety of the vessel ISO 11812

**Photos**



IMG\_0117

[REDACTED]  
9 Jun 2022 13:05



IMG\_0118

[REDACTED]  
9 Jun 2022 13:05

#37 Inspection date 09.06.2022

**Status**  
Open

**Start date**  
9 Jun 2022

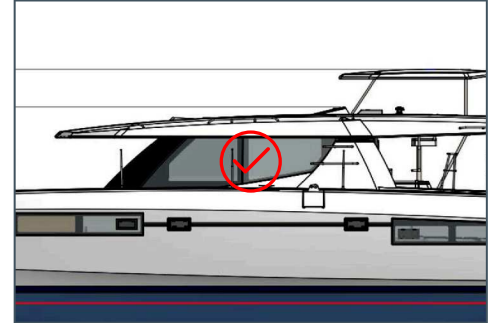
**Sheet**  
Hull Port Side

**Location**  
Deck House Ps

**Created**  
9 Jun 2022 18:37  
[REDACTED]@icloud.com

**List**  
QA/QC

**Root cause**  
Coordination >  
Constructibility



**Description**

The glass of the deckhouse windows on the port side shows a high level of water infiltration, the inadequacy of these aspects affects the integrity of the hull and therefore the safety of the vessel ISO 11812

**Photos**



IMG\_0120  
[REDACTED]  
9 Jun 2022 13:07



IMG\_0121  
[REDACTED]  
9 Jun 2022 13:08



IMG\_0122

9 Jun 2022 13:08



#38 Inspection date 09.06.2022

**Status**  
Open

**Start date**  
9 Jun 2022

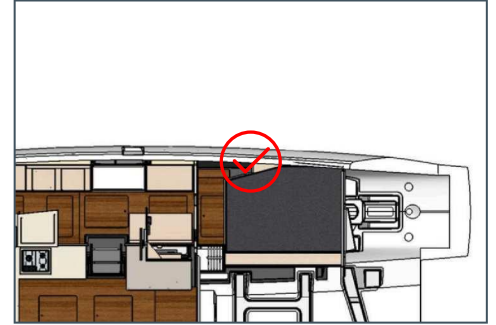
**Sheet**  
Interior

**Location**  
Hull SB

**Created**  
9 Jun 2022 18:39  
[redacted]@icloud.com

**List**  
QA/QC

**Root cause**  
Coordination >  
Constructibility



**Description**

The glass on the starboard side shows high water infiltration during navigation; inadequacy of these aspects affects the integrity of the hull and therefore the safety of the vessel ISO 11812

**Photos**



IMG\_0124

[redacted]  
9 Jun 2022 13:09

IMG\_0125

[redacted]  
9 Jun 2022 13:10



#39 Inspection date 09.06.2022

Status  
Open

Start date  
9 Jun 2022

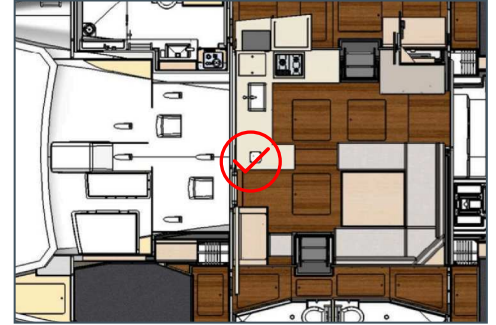
Sheet  
Interior

Location  
Salon

Created  
9 Jun 2022 18:41  
[redacted]@icloud.com

List  
QA/QC

Root cause  
Quality >  
Incomplete work



Description

The wood cover inside this locker was never installed by the shipyard

Photos



IMG\_0126

9 Jun 2022 13:15



IMG\_0127

9 Jun 2022 13:15

## #40 Inspection date 09.06.2022

**Status**  
Open

**Start date**  
9 Jun 2022

**Sheet**  
Interior

**Location**  
Electric Main Panel

**Created**  
9 Jun 2022 18:43  
[REDACTED]@icloud.com

**List**  
QA/QC

**Root cause**  
Quality >  
Incomplete work

### Description

The air conduct (A/C) located inside the electronic area has been broken by someone who did the service in the shipyard



### Photos



IMG\_0132

[REDACTED]  
9 Jun 2022 13:17

#41 Inspection date 09.06.2022

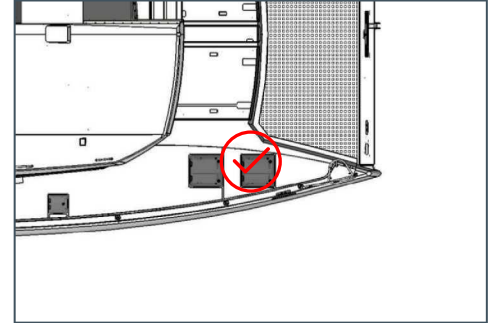
**Status**  
Open

**Start date**  
9 Jun 2022

**Sheet**  
Deck Plan

**Location**  
Deck Bow Stb

**Created**  
9 Jun 2022 18:46  
[REDACTED]@icloud.com



**List**  
QA/QC

**Root cause**  
Quality >  
Installation

**Description**

On the starboard deck forward the manholes show water leakage, the inadequacy of these aspects affects the integrity of the hull and superstructure and thus the safety of the boat ISO 11812.

**Photos**



IMG\_0134  
[REDACTED]  
9 Jun 2022 13:20



IMG\_0135  
[REDACTED]  
9 Jun 2022 13:20

## #42 Inspection date 09.06.2022

**Status**  
Open

**Start date**  
9 Jun 2022

**Sheet**  
Interior

**Location**  
Interior Stb cabin aft

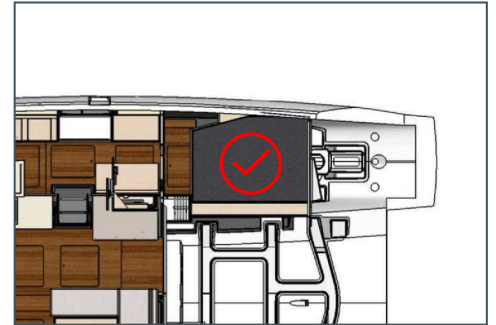
**Created**  
9 Jun 2022 18:47  
[REDACTED]@icloud.com

**List**  
QA/QC

**Root cause**  
Quality > Manufacturer  
defect

### Description

The KUUMA boiler positioned under the owner's cabin bed shows problems maintaining the hot water flow when used by several people and problems with water regeneration when less than half a tank



## #43 Inspectionate 09.06.2022

**Status**  
Open

**Start date**  
9 Jun 2022

**Sheet**  
Interior

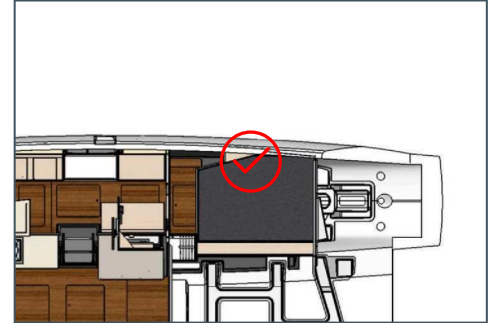
**Location**  
Interior Stb cabin aft

**Created**  
9 Jun 2022 18:50  
[REDACTED]@icloud.com

**List**  
QA/QC

**Root cause**  
Quality >  
Installation

**Description**  
The leather is damaged

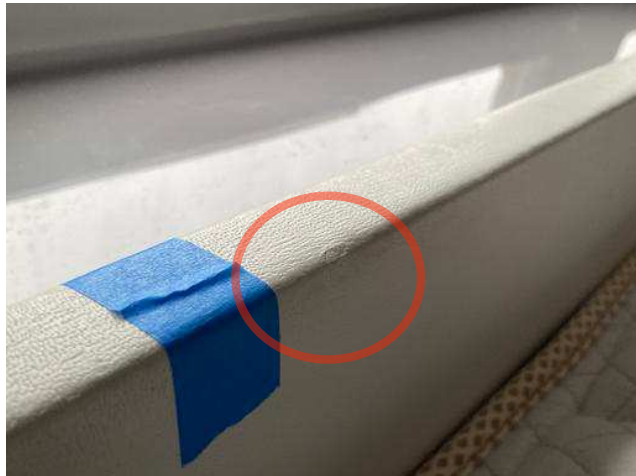


### Photos



IMG\_0141

[REDACTED]  
9 Jun 2022 13:26



IMG\_0142

[REDACTED]  
9 Jun 2022 13:26



#44 Inspection date 09.06.2022

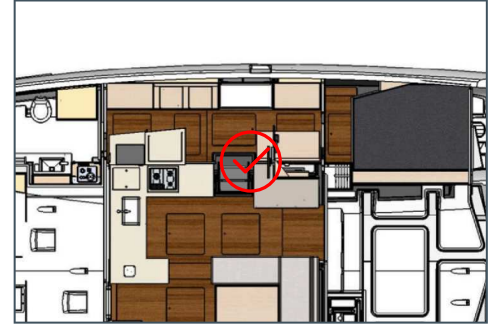
**Status**  
Open

**Start date**  
9 Jun 2022

**Sheet**  
Interior

**Location**  
Salon Stb

**Created**  
9 Jun 2022 18:51  
[redacted]@icloud.com



**List**  
QA/QC

**Root cause**  
Quality >  
Incomplete work

**Description**  
The ply wood  
is damaged

**Photos**



IMG\_0143  
[redacted]  
9 Jun 2022 13:26



IMG\_0144  
[redacted]  
9 Jun 2022 13:26



#45 Inspection date 09.06.2022

**Status**  
Open

**Start date**  
9 Jun 2022

**Sheet**  
Interior

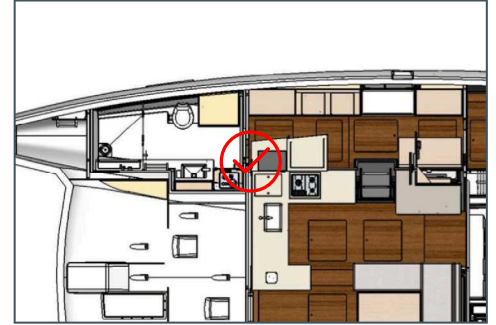
**Location**  
Interior Stb toilette

**Created**  
9 Jun 2022 18:53  
[redacted]@icloud.com

**List**  
QA/QC

**Root cause**  
Quality >  
Incomplete work

**Description**  
The internal paint finishing works were not fully completed



**Photos**



IMG\_0145  
[redacted]  
9 Jun 2022 13:27

IMG\_0146  
[redacted]  
9 Jun 2022 13:27

#46 Inspection date 09.06.2022

**Status**  
Open

**Start date**  
9 Jun 2022

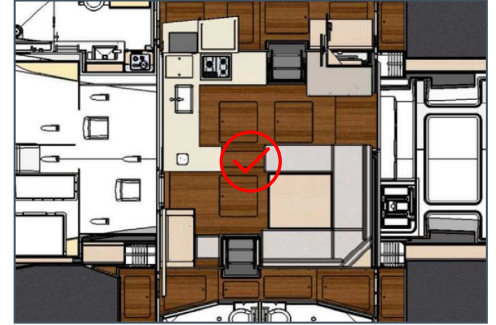
**Sheet**  
Interior

**Location**  
Salon Ceiling

**Created**  
9 Jun 2022 18:55  
[REDACTED]@icloud.com

**List**  
QA/QC

**Root cause**  
Quality >  
Installation



**Description**

The ceiling panels in the salon have no hold on the frame underneath and have a tendency to fall. Ceiling panel fastening systems need to be reviewed.

**Photos**



IMG\_0147  
[REDACTED]  
9 Jun 2022 13:30



IMG\_0148  
[REDACTED]  
9 Jun 2022 13:30



IMG\_0149

9 Jun 2022 13:30

#47 Inspection date 09.06.2022

**Status**  
Open

**Start date**  
9 Jun 2022

**Sheet**  
Interior

**Location**  
Salon

**Created**  
9 Jun 2022 18:56  
[redacted]@icloud.com

**List**  
QA/QC

**Root cause**  
Quality >  
Incomplete work



**Description**

The right upper part of the frame shows oxidation formations due to water infiltration from outside. In navigation, the frame moves. The inadequacy of these aspects affects the integrity of the hull and superstructure and thus the safety of the boat ISO 11812

**Photos**



IMG\_0150  
[redacted]  
9 Jun 2022 13:30



IMG\_0151  
[redacted]  
9 Jun 2022 13:30

#48 Inspection date 09.06.2022

**Status**  
Open

**Start date**  
9 Jun 2022

**Sheet**  
Interior

**Location**  
Interior Stb toilette

**Created**  
9 Jun 2022 18:58  
[REDACTED]@icloud.com



**List**  
QA/QC

**Root cause**  
Quality >  
Installation

**Description**

The basin tap shows  
leaks at the base

**Photos**



IMG\_0152  
[REDACTED]  
9 Jun 2022 13:33

IMG\_0153  
[REDACTED]  
9 Jun 2022 13:33



#49 Inspection date 09.06.2022

**Status**  
Open

**Start date**  
9 Jun 2022

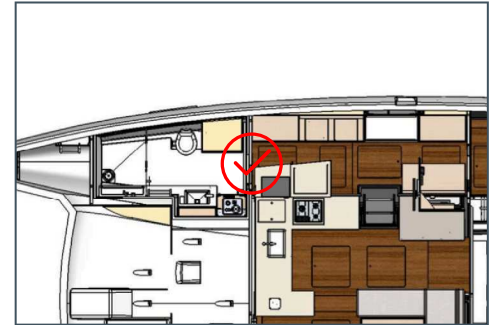
**Sheet**  
Interior

**Location**  
Interior Stb toilette

**Created**  
9 Jun 2022 19:00  
[REDACTED]@icloud.com

**List**  
QA/QC

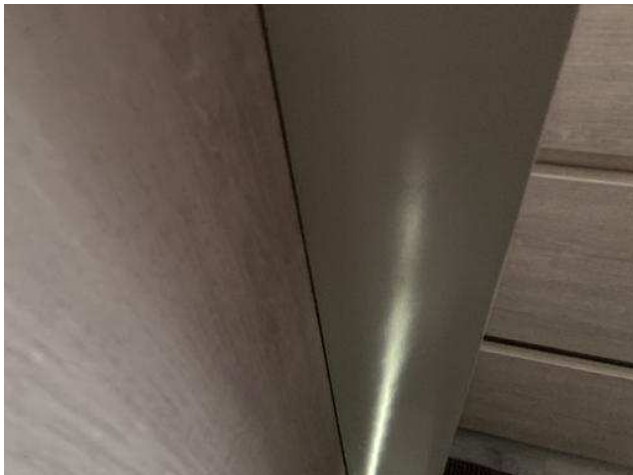
**Root cause**  
Quality >  
Installation



**Description**

The sliding door in the bathroom is misaligned in relation to the stiffener, damaging the door covering

**Photos**



IMG\_0154  
[REDACTED]  
9 Jun 2022 13:36



IMG\_0155  
[REDACTED]  
9 Jun 2022 13:36



#50 Inspection date 09.06.2022

**Status**  
Open

**Start date**  
9 Jun 2022

**Sheet**  
Deck Plan

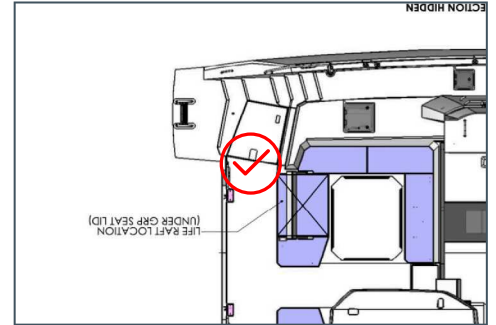
**Location**  
Deck Ps aft

**Created**  
9 Jun 2022 19:02  
[REDACTED]@icloud.com

**List**  
QA/QC

**Root cause**  
Quality >  
Manufacturer defect

**Description**  
The air vent is broken



**Photos**



IMG\_0156

[REDACTED]  
9 Jun 2022 13:57

## #51 Inspection date 09.06.2022

**Status**

Open

**Start date**

9 Jun 2022

**Sheet**

Deck Plan

**Location**

Engine Ps

**Created**

9 Jun 2022 19:04

██████████@icloud.com

**List**

QA/QC

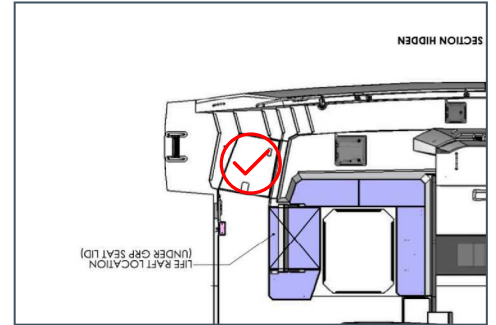
**Root cause**

Quality >

Manufacturer defect

**Description**

Port side Yanmar engine sporadically smoking; injectors are likely faulty or blocked - it has to be tested afloat after the annual service



#52 Inspection date 09.06.2022

Status  
Open

Start date  
9 Jun 2022

Sheet  
Deck Plan

Location  
Engine SB

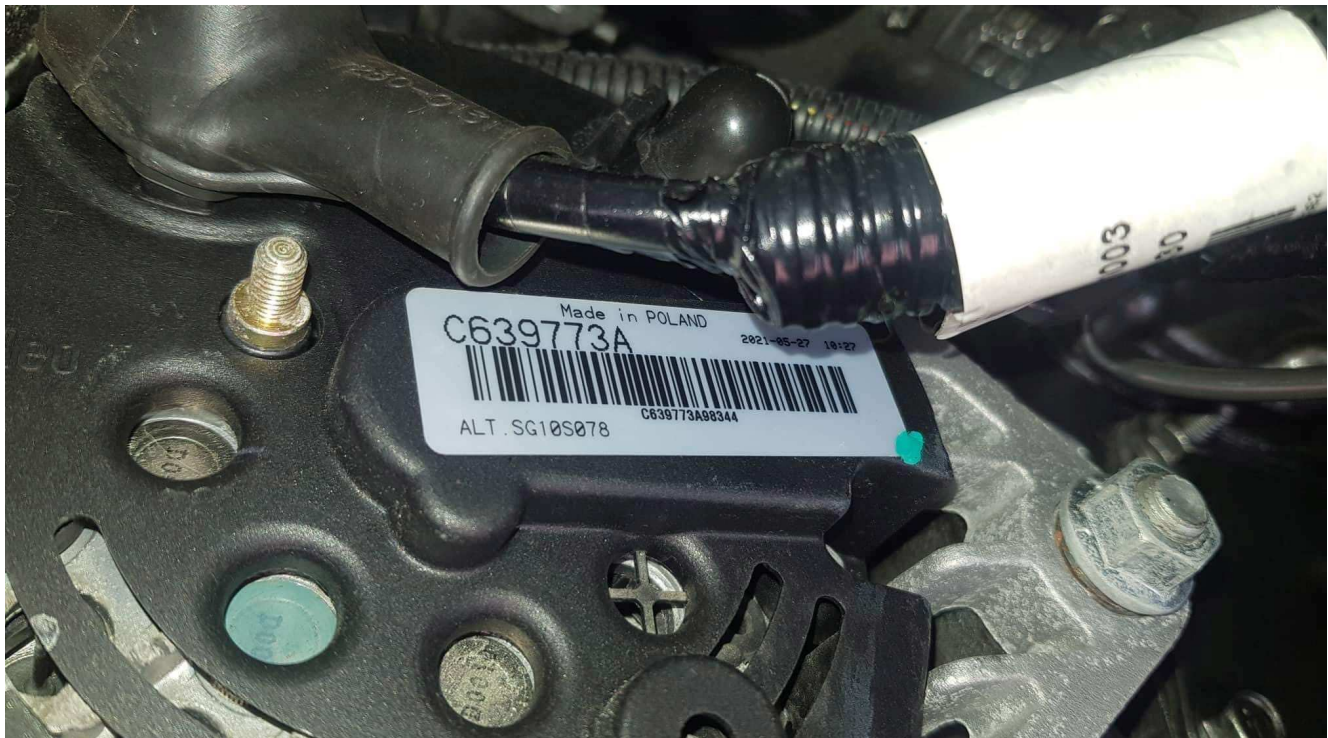
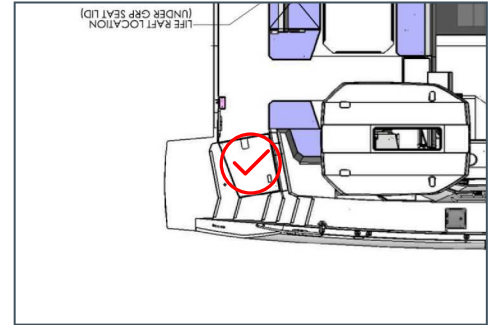
Created  
9 Jun 2022 19:06  
[REDACTED]@icloud.com

List  
QA/QC

Root cause  
Quality > Manufacturer defect

Description

The starboard engine alternator shows problems as it reveals high working temperatures and does not seem to charge the batteries



## #53 Inspection date 09.06.2022

**Status**

Open

**Start date**

9 Jun 2022

**Sheet**

Deck Plan

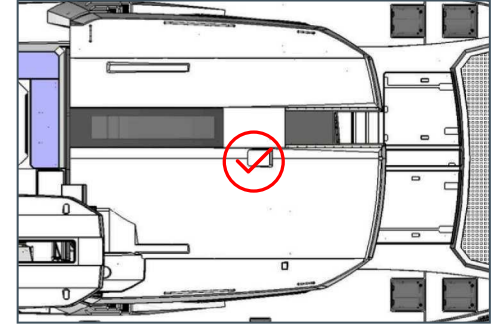
**Location**

Mast

**Created**

9 Jun 2022 19:11

██████████@icloud.com



**List**

QA/QC

**Root cause**

Quality > Incomplete work

**Description**

The mast must be removed, Raymarine cables inside the mast must be replaced, wind sensor cable, radar or anything damaged inside due to the broken conduit. The damaged conduit must be removed and replaced with suitable conduit and fixed correctly inside.

**Photos**



#54 Inspection date 09.06.2022

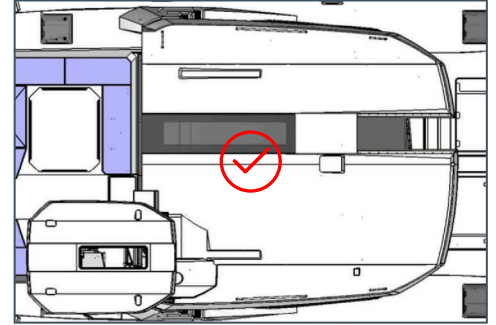
**Status**  
Open

**Start date**  
9 Jun 2022

**Sheet**  
Deck Plan

**Location**  
Mast

**Created**  
9 Jun 2022 19:12  
[redacted]@icloud.com



**List**  
QA/QC

**Root cause**  
Quality >  
Installation

**Description**

Mainsail cover is damaged due to incorrect installation of the lady bug

**Photos**



Unknown-1

[redacted]

9 Jun 2022 13:23



Unknown-2

[redacted]

9 Jun 2022 13:23

#55 Inspection date 09.06.2022

**Status**

Open

**Start date**

9 Jun 2022

**Sheet**

Interior

**Location**

Salon

**Created**

9 Jun 2022 19:19

██████████@icloud.com

**List**

QA/QC

**Root cause**

Quality > Manufacturer defect

**Description**

The various problems encountered in navigation with Raymarine instruments were verified by Raymarine Gibraltar. Remaining warranties will be followed up by Raymarine Italy.

